

## HP30-60HZ-400V MINIMATIC

|                                    |                 |
|------------------------------------|-----------------|
| <b>Product code</b>                | IFOTFF250060652 |
| <b>Reactive power Ue=400V</b>      | 50 kvar         |
| <b>Nominal voltage Ue</b>          | 400V            |
| <b>Capacitors voltage Un</b>       | 550 V           |
| <b>Capacitors max voltage Umax</b> | 600 V           |
| <b>Frequency</b>                   | 60 Hz           |
| <b>THDI<sub>R</sub>%</b>           | ≤20%            |
| <b>THDIC%</b>                      | ≤70%            |
| <b>Steps</b>                       | 5-10-15-20 kvar |
| <b>Electrical steps number</b>     | 10              |
| <b>Banks</b>                       | 50 kvar         |
| <b>Load break switch</b>           | 125 A           |
| <b>Icc</b>                         | 9 kA            |
| <b>Controller</b>                  | 7MGA            |
| <b>IP degree</b>                   | IP3X            |
| <b>Dimensions WxDxH</b>            | 420x425x745mm   |
| <b>Weight</b>                      | 41 kg           |

NOTE Icc value: Other values upon request.

### Standard features

|   |                          |
|---|--------------------------|
| <b>Max current overload In</b>              | 1.3 In                   |
| <b>Max current overload In (capacitors)</b> | 1,3 In (continuous)      |
| <b>Max overload Vn</b>                      | 1,1xUe                   |
| <b>Max overload Vn (capacitors)</b>         | 3xUn (for 1 minute)      |
| <b>Insulation voltage</b>                   | 690V                     |
| <b>Temperature class</b>                    | -5/+40°C                 |
| <b>Temperature class (capacitors)</b>       | -25/+55°C                |
| <b>Discharge device</b>                     | mounted on each bank     |
| <b>Installation</b>                         | indoor                   |
| <b>Service</b>                              | continuous               |
| <b>Internal connection</b>                  | delta                    |
| <b>Total losses</b>                         | ~ 2W/kvar                |
| <b>Inner surface finish</b>                 | zinc passivation         |
| <b>Standards (bank)</b>                     | IEC 61439-1/2, IEC 61921 |
| <b>Standards (capacitors)</b>               | IEC 60831-1/2            |

## Generalities

Zink-passivated metallic enclosure painted with epossidic dust paint, colour RAL 7035.

Auxiliary transformer to separate power and auxiliary circuit parts (110V).

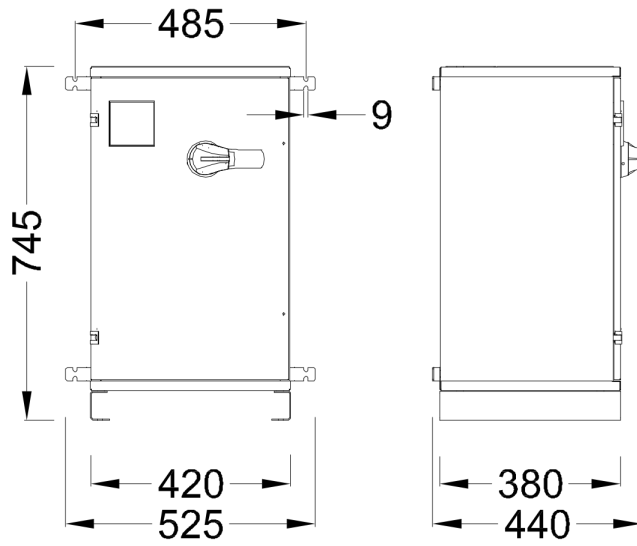
Load-break switch with door interlock.

Special contactors with damping resistors to limit capacitors inrush current (AC6b).

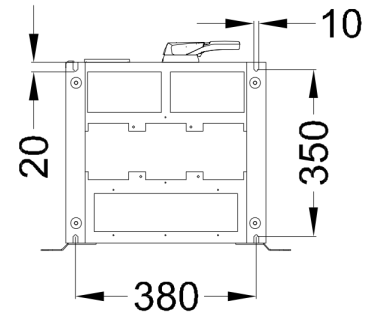
FS17 450/750V self-extinguish cable according to EN 50525 - EN 50575 - EN 50575/A1.

Microprocessor Power Factor Correction relay.

CRM25 single phase self-healing metallized polypropylene capacitor with  $U_n=550V-50Hz$  (480V-60Hz) rated voltage.



Bottom view  
ground fixing



Top view  
cables entry

