

VP10 MINIMATIC

| | |
|------------------------------------|-----------------|
| Product code | IF2VFF237550652 |
| Reactive power Ue=400V | 37.5 kvar |
| Nominal voltage Ue | 400V |
| Capacitors voltage Un | 400 V |
| Capacitors max voltage Umax | 440 V |
| Frequency | 50 Hz |
| THDI_R% | ≤27% |
| THDIC% | ≤85% |
| Steps | 7,5-2x15 kvar |
| Electrical steps number | 5 |
| Banks | 37.5 kvar |
| Load break switch | 125 A |
| Icc | 9 kA |
| Controller | 5LGA |
| IP degree | IP3X |
| Dimensions WxDxH | 420x425x745mm |
| Weight | 81 kg |

NOTE Icc value: Other values upon request.

Standard features

| | |
|--|---|
| Max current overload I_n | 1.3 I _n |
| | 1,3 I _n (continuous) 2 I _n (x500s every 60 minutes) 3 I _n (x180s every 60 minutes) 4 I _n (x90s every 60 minutes) 5 I _n (x50s every 60 minutes) |
| Max current overload I_n (capacitors) | |
| Max overload V_n | 1,1xU _e |
| Max overload V_n (capacitors) | 3xU _n (for 1 minute) |
| Insulation voltage | 690V |
| Temperature class | -5/+40°C |
| Temperature class (capacitors) | -25/+70°C |
| Discharge device | mounted on each bank |
| Installation | indoor |
| Service | continuous |
| Internal connection | delta |
| Total losses | ~ 2W/kvar |
| Inner surface finish | zinc passivation |
| Standards (bank) | IEC 61439-1/2, IEC 61921 |
| Standards (capacitors) | IEC 60831-1/2 |

Generalities

Zink-passivated metallic enclosure painted with epossidic dust paint, colour RAL 7035.

Auxiliary transformer to separate power and auxiliary circuit parts (110V).

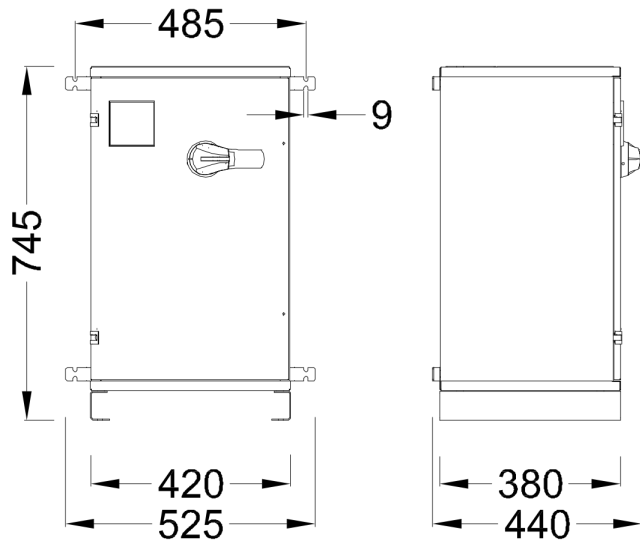
Load-break switch with door interlock.

Special contactors with damping resistors to limit capacitors inrush current (AC6b).

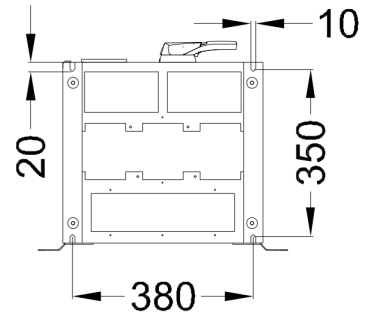
FS17 450/750V self-extinguish cable according to EN 50525 - EN 50575 - EN 50575/A1.

Microprocessor Power Factor Correction relay.

CRM25 single phase self-healing metallized polypropylene capacitor with increased thickness and UN=400V rated voltage.



Bottom view
ground fixing



Top view
cables entry

