

HP10-60HZ-230V MULTIMATIC

| | |
|------------------------------------|-----------------|
| Product code | IN0ABB342060700 |
| Reactive power Ue=230V | 420 kvar |
| Nominal voltage Ue | 230V |
| Capacitors voltage Un | 415 V |
| Capacitors max voltage Umax | 455 V |
| Frequency | 60 Hz |
| THDI_R% | ≤20% |
| THDIC% | ≤70% |
| Steps | 2x42-4x84 kvar |
| Electrical steps number | 10 |
| Banks | 2x30-6x60 kvar |
| Load break switch | 2x1250 A |
| Icc | 50 kA |
| Controller | 8BGA |
| IP degree | IP4X |
| Dimensions WxDxH | 1220x670x1960mm |
| Weight | 660 kg |

NOTE Icc value: Other values upon request.

Standard features

| | |
|---|--------------------------|
| Max current overload In | 1.3 In |
| Max current overload In (capacitors) | 1,3 In (continuous) |
| Max overload Vn | 1,1xUe |
| Max overload Vn (capacitors) | 3xUn (for 1 minute) |
| Insulation voltage | 690V |
| Temperature class | -5/+40°C |
| Temperature class (capacitors) | -25/+55°C |
| Discharge device | mounted on each bank |
| Installation | indoor |
| Service | continuous |
| Internal connection | delta |
| Total losses | ~ 2W/kvar |
| Inner surface finish | zinc passivation |
| Standards (bank) | IEC 61439-1/2, IEC 61921 |
| Standards (capacitors) | IEC 60831-1/2 |

Generalities

Zink-passivated metallic enclosure painted with epossidic dust paint, colour RAL 7035.

Auxiliary transformer to separate power and auxiliary circuit parts (110V).

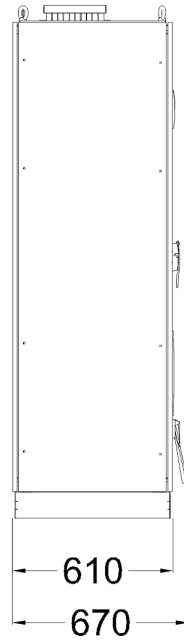
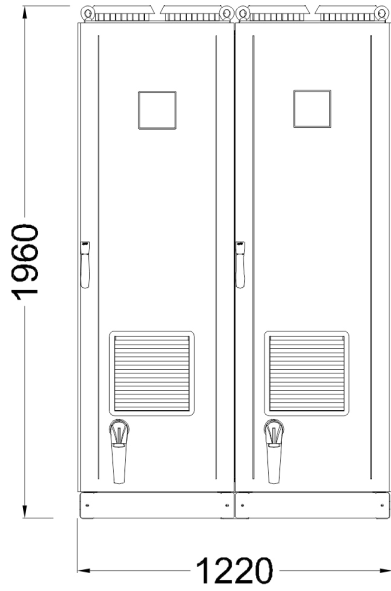
Load-break switch with door interlock.

Special contactors with damping resistors to limit capacitors inrush current (AC6b).

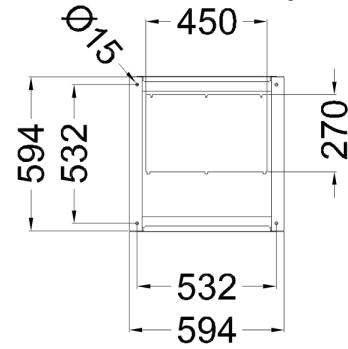
FS17 450/750V self-extinguish cable according to EN 50525 - EN 50575 - EN 50575/A1.

Microprocessor Power Factor Correction relay.

CRM25 single phase self-healing metallized polypropylene capacitor with $U_n=415V-50Hz$ (350V60Hz) rated voltage.



Bottom view
ground fixing and
cables entry



Top view

