

## FH30-60HZ-400V MULTIMATIC

|   |                 |
|---|-----------------|
| <b>Product code</b>                     | IN7JFF324460702 |
| <b>Reactive power Ue=400V</b>           | 244 kvar        |
| <b>Nominal voltage Ue</b>               | 400V            |
| <b>Capacitors voltage Un</b>            | 550 V           |
| <b>Capacitors max voltage Umax</b>      | 600 V           |
| <b>Frequency</b>                        | 60 Hz           |
| <b>THDI<sub>R</sub>%</b>                | 100%            |
| <b>I<sub>250Hz</sub>%</b>               | >25%            |
| <b>THDV<sub>R</sub>%</b>                | ≤6%             |
| <b>Detuning frequency f<sub>D</sub></b> | 162 Hz          |
| <b>Steps</b>                            | 16-33-3x65 kvar |
| <b>Electrical steps number</b>          | 15              |
| <b>Banks</b>                            | 49-3x65 kvar    |
| <b>Load break switch</b>                | 630 A           |
| <b>I<sub>cc</sub></b>                   | 25 kA           |
| <b>Controller</b>                       | 8BGA            |
| <b>IP degree</b>                        | IP4X            |
| <b>Dimensions WxDxH</b>                 | 610x670x1960mm  |
| <b>Weight</b>                           | 385 kg          |

NOTE I<sub>cc</sub> value: Other values upon request.

### Standard features

|  |                                 |
|--|---------------------------------|
| <b>Max current overload I<sub>n</sub></b>              | 1.3 I <sub>n</sub>              |
| <b>Max current overload I<sub>n</sub> (capacitors)</b> | 1,3 I <sub>n</sub> (continuous) |
| <b>Max overload V<sub>n</sub></b>                      | 1,1xU <sub>e</sub>              |
| <b>Max overload V<sub>n</sub> (capacitors)</b>         | 3xU <sub>n</sub> (for 1 minute) |
| <b>Insulation voltage</b>                              | 690V                            |
| <b>Temperature class</b>                               | -5/+40°C                        |
| <b>Temperature class (capacitors)</b>                  | -25/+55°C                       |
| <b>Discharge device</b>                                | mounted on each bank            |
| <b>Installation</b>                                    | indoor                          |
| <b>Service</b>   | continuous                      |
| <b>Internal connection</b>                             | delta                           |
| <b>Total losses</b>                                    | ~ 8W/kvar                       |
| <b>Inner surface finish</b>                            | zinc passivation                |
| <b>Standards (bank)</b>                                | IEC 61439-1/2, IEC 61921        |
| <b>Standards (capacitors)</b>                          | IEC 60831-1/2                   |

## Generalities

Zink-passivated metallic enclosure painted with epossidic dust paint, colour RAL 7035.

Auxiliary transformer to separate power and auxiliary circuit parts (110V).

Load-break switch with door interlock.

Contactors for capacitive loads.

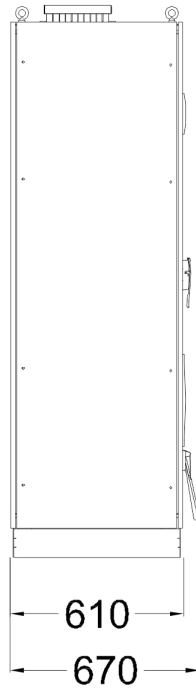
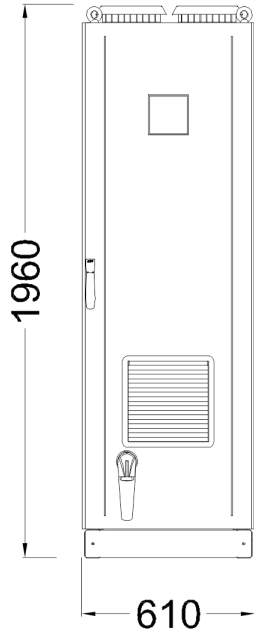
FS17 450/750V self-extinguish cable according to EN 50525 - EN 50575 - EN 50575/A1.

Microprocessor Power Factor Correction relay.

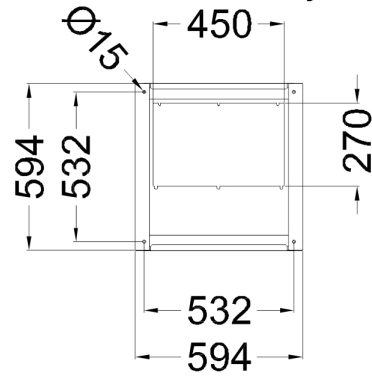
Control and protection multimeter MCP5, integrated in 8BGA controller.

CRM25 single phase self-healing metallized polypropylene capacitor with  $U_n=550V-50Hz$  (480V-60Hz) rated voltage.

Three phase detuning choke with tuning frequency  $f_D=162Hz$  ( $N=2.7-p\%=13.7\%$ ).



Bottom view  
ground fixing and  
cables entry



Top view

