

VP10 MULTIMATIC IP55

| | |
|------------------------------------|-------------------|
| Product code | IP2VFF337150700 |
| Reactive power Ue=400V | 371 kvar |
| Nominal voltage Ue | 400V |
| Capacitors voltage Un | 400 V |
| Capacitors max voltage Umax | 440 V |
| Frequency | 50 Hz |
| THDI_R% | ≤27% |
| THDIC% | ≤85% |
| Steps | 34-5x68 kvar |
| Electrical steps number | 11 |
| Banks | 41,25-4x82,5 kvar |
| Load break switch | 800 A |
| Icc | 50 kA |
| Controller | 8BGA |
| IP degree | IP55 |
| Dimensions WxDxH | 610x670x2160mm |
| Weight | 400 kg |

NOTE Icc value: Other values upon request.

Standard features

| | |
|--|---|
| Max current overload I_n | 1.3 I _n |
| | 1,3 I _n (continuous) 2 I _n (x500s every 60 minutes) 3 I _n (x180s every 60 minutes) 4 I _n (x90s every 60 minutes) 5 I _n (x50s every 60 minutes) |
| Max current overload I_n (capacitors) | |
| Max overload V_n | 1,1xU _e |
| Max overload V_n (capacitors) | 3xU _n (for 1 minute) |
| Insulation voltage | 690V |
| Temperature class | -5/+40°C |
| Temperature class (capacitors) | -25/+70°C |
| Discharge device | mounted on each bank |
| Installation | indoor |
| Service | continuous |
| Internal connection | delta |
| Total losses | ~ 2W/kvar |
| Inner surface finish | zinc passivation |
| Standards (bank) | IEC 61439-1/2, IEC 61921 |
| Standards (capacitors) | IEC 60831-1/2 |

Generalities

Zink-passivated metallic enclosure painted with epossidic dust paint, colour RAL 7035.

Auxiliary transformer to separate power and auxiliary circuit parts (110V).

Load-break switch with door interlock.

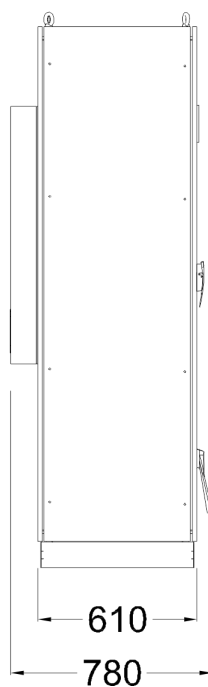
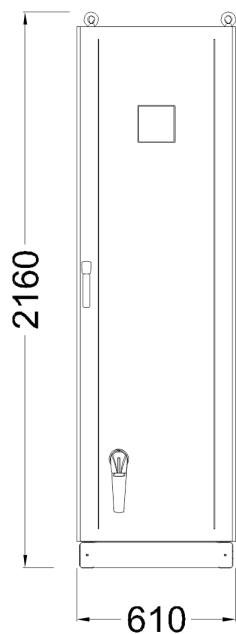
Special contactors with damping resistors to limit capacitors inrush current (AC6b).

FS17 450/750V self-extinguish cable according to EN 50525 - EN 50575 - EN 50575/A1.

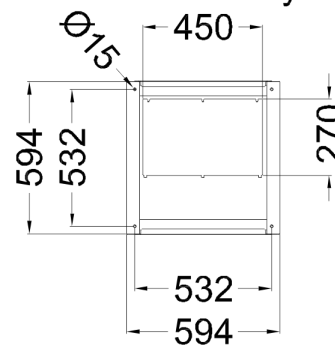
Microprocessor Power Factor Correction relay.

CRM25 single phase self-healing metallized polypropylene capacitor with increased thickness and UN=400V rated voltage.

Min. distance from the
wall: 250mm



Bottom view
ground fixing and
cables entry



Top view

