

## FH20.S MULTIMATIC

|   |                  |
|---|------------------|
| <b>Product code</b>                     | IU7AFF344050786  |
| <b>Reactive power Ue=400V</b>           | 440 kvar         |
| <b>Reactive power Ue=415V</b>           | 471 kvar         |
| <b>Nominal voltage Ue</b>               | 400-415V         |
| <b>Capacitors voltage Un</b>            | 550 V            |
| <b>Capacitors max voltage Umax</b>      | 600 V            |
| <b>Frequency</b>                        | 50 Hz            |
| <b>THDI<sub>R</sub>%</b>                | 100%             |
| <b>I<sub>250Hz</sub>%</b>               | ≤25%             |
| <b>THDV<sub>R</sub>%</b>                | ≤6%              |
| <b>Detuning frequency f<sub>D</sub></b> | 180 Hz           |
| <b>Steps</b>                            | 40-80-2x160 kvar |
| <b>Electrical steps number</b>          | 11               |
| <b>Banks</b>                            | 40-5x80 kvar     |
| <b>Load break switch</b>                | 1250 A           |
| <b>I<sub>cc</sub></b>                   | 50 kA            |
| <b>Controller</b>                       | 8BGA             |
| <b>IP degree</b>                        | IP4X             |
| <b>Dimensions WxDxH</b>                 | 610x670x2360mm   |
| <b>Weight</b>                           | 775 kg           |

NOTE I<sub>cc</sub> value: Other values upon request.



This image is indicative only.

### Standard features

|  |   |
|--|---|
| <b>Max current overload I<sub>n</sub></b>              | 1.3 I <sub>n</sub>  |
|  | 1,3 I <sub>n</sub> (continuous)<br>2 I <sub>n</sub> (x380s every 60 minutes)<br>3 I <sub>n</sub> (x150s every 60 minutes)<br>4 I <sub>n</sub> (x70s every 60 minutes)<br>5 I <sub>n</sub> (x45s every 60 minutes) |
| <b>Max current overload I<sub>n</sub> (capacitors)</b> |   |
| <b>Max overload V<sub>n</sub></b>                      | 1,1xU <sub>e</sub>  |
| <b>Max overload V<sub>n</sub> (capacitors)</b>         | 3xU <sub>n</sub> (for 1 minute)   |
| <b>Insulation voltage</b>                              | 690V  |
| <b>Temperature class</b>                               | -5/+40°C  |
| <b>Temperature class (capacitors)</b>                  | -25/+55°C   |
| <b>Discharge device</b>                                | mounted on each bank  |
| <b>Installation</b>                                    | indoor  |
| <b>Service</b>   | continuous  |
| <b>Internal connection</b>                             | delta   |
| <b>Total losses</b>                                    | ~ 6W/kvar   |
| <b>Inner surface finish</b>                            | zinc passivation  |
| <b>Standards (bank)</b>                                | IEC 61439-1/2, IEC 61921  |
| <b>Standards (capacitors)</b>                          | IEC 60831-1/2   |

## Generalities

Zink-passivated metallic enclosure painted with epossidic dust paint, colour RAL 7035.

Auxiliary transformer to separate power and auxiliary circuit parts (110V).

Load-break switch with door interlock.

Thyristor switches (SCR).

Total switching time 60 milliseconds.

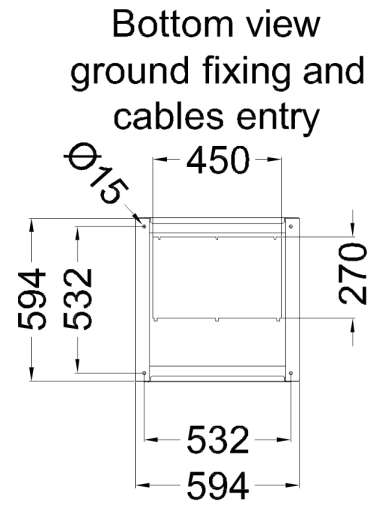
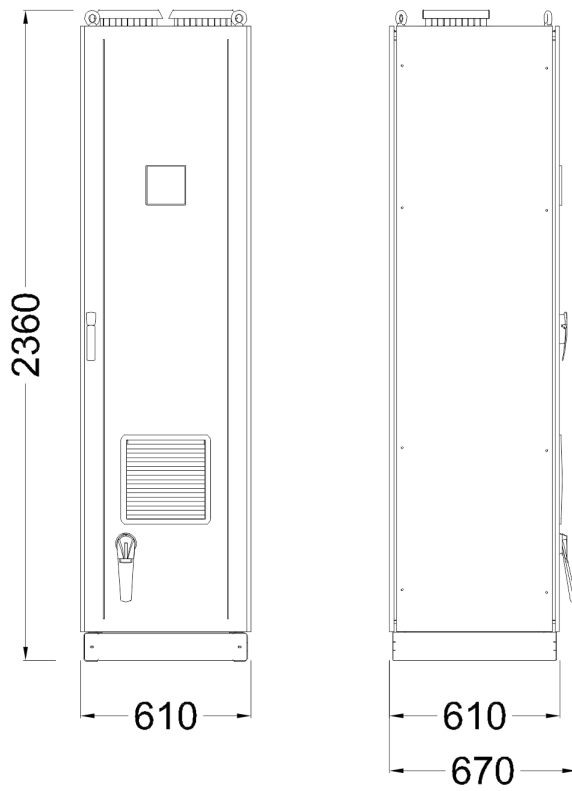
FS17 450/750V self-extinguish cable according to EN 50525 - EN 50575 - EN 50575/A1.

Microprocessor Power Factor Correction relay.

Control and protection multimeter MCP5, integrated in 8BGA controller (MIDImatic and MULTImatic version).

CRM25 single phase self-healing metallized polypropylene capacitor with  $U_n=550V$  rated voltage.

Three phase detuning choke with tuning frequency  $f_D=180Hz$  ( $N=3.6-p\%=7.7\%$ ).



Top view

